

- PRODUCTS
- NEWS
- COMPANY PROFILE
- CONTACT US
- SITE MAP
- WINCHES
- POWER DRIVES
- MOUNT SYSTEMS
- PREMIUM HUBS
- ACCESSORIES
- ATVS
- SUPERMOUNT
- JEEP



POWER WHEN YOU NEED IT, WHERE YOU

[HOME](#)

**H20P/H25P/H30P**  
 20,000 –30,000 lb./  
 9,080–13,610 kg



Additional winch part numbers are listed in the [master product guide](#).

**All AC Winches**

- [AC1000](#)
- [AC1500](#)
- [AC2000](#)
- [AC3000](#)
- [SAC1000](#)

**All DC Winches**

- [EP12.5](#)
- [EP16.5](#)
- [Husky 8](#)
- [Husky 10](#)
- [EP6.0](#)
- [EP9.0](#)
- [EPi6.0](#)
- [EPi9.0](#)
- [X6CD](#)
- [X9](#)
- [S6000](#)
- [S9000](#)
- [S3000](#)
- [S4000](#)
- [S5000](#)
- [ATV1800](#)
- [ATV2300](#)
- [ATV3000](#)
- [GP1800](#)
- [GP2300](#)
- [GP3000](#)
- [EX1](#)
- [X1](#)
- [X1F](#)
- [X2](#)
- [X2F](#)
- [T1500](#)
- [T2000](#)
- [C1000](#)

**Hydraulic Winches**

- [H9W](#)
- [H10/H12/H14](#)
- [H8/10P](#)
- [H11/13/15P](#)
- [H20/25/30P](#)

**Power Drives**

**Standard Features**

- Robust construction engineered to meet J706 standards
- Heavy duty, high efficiency 2 stage planetary gearbox giving optimum reliability
- Multi-disc type brake, spring applied, hydraulic release, full load holding
- Rugged, high torque, low speed motor unit of proven reliability
- Spring applied, pneumatic freespooling, released for rapid rope pay-out
- Heavy duty cast drum, running on substantial roller bearings
- Load Control Valve fitted as standard to ensure complete load control

**Performance**

<b>H20P</b>	
Maximum Oil Pressure	2,500 psi (172 bar)
Maximum Oil Flow	6/20gpm (23/75 l/min.)
Line Pull (Second Layer)	18,891 lbs. (8,569kg)
Line Pull (Third Layer)	15,294 lbs. (6,937kg)
Line Pull (Fourth Layer)	13,689 lbs. (6,209kg)

<b>H25P</b>	
Maximum Oil Pressure	2,500 psi (172 bar)
Maximum Oil Flow	6/20gpm (23/75 l/min.)
Line Pull (Second Layer)	23,551 lbs. (10,682kg)
Line Pull (Third Layer)	19,118 lbs. (8,672kg)
Line Pull (Fourth Layer)	17,105 lbs. (7,759kg)

<b>H30P</b>	
Maximum Oil Pressure	2,500 psi (172 bar)
Maximum Oil Flow	6/20gpm (23/75 l/min.)
Line Pull (Second Layer)	28,336 lbs. (12,853kg)
Line Pull (Third Layer)	22,941 lbs. (10,406kg)
Line Pull (Fourth Layer)	20,534 lbs. (9,314kg)

**Specifications**

<b>H20P</b>	
Rated Line Pull (Bottom Layer)	20,000 lb. (9,080 kg)
Line Speed, Bottom Layer, No Load	34'/min. (10.3m/min.)
Recommended Wire Rope Diameter	5/8" (16mm)
Maximum Rope Length	250' of 5/8" or 160' of 3/4"
Drum Diameter	7.5" (190.5mm)
Weight (Excluding Wire Rope)	436 lbs. (198 kg)

[AC](#)  
[DC](#)

**H25P**

Rated Line Pull (Bottom Layer)	25,000 lb. (11,340 kg)
Line Speed, Bottom Layer, No Load	28'/min. (8.5m/min.)
Recommended Wire Rope Diameter	1 1/16" (17.4mm)
Maximum Rope Length	250' of 5/8" or 160' of 3/4"
Drum Diameter	7.5" (190.5mm)
Weight (Excluding Wire Rope)	436 lbs. (198 kg)

**H30P**

Rated Line Pull (Bottom Layer)	30,000 lb. (13,610 kg)
Line Speed, Bottom Layer, No Load	23'/min. (7m/min.)
Recommended Wire Rope Diameter	3/4" (20mm)
Maximum Rope Length	250' of 5/8" or 160' of 3/4"
Drum Diameter	7.5" (190.5mm)
Weight (Excluding Wire Rope)	436 lbs. (198 kg)

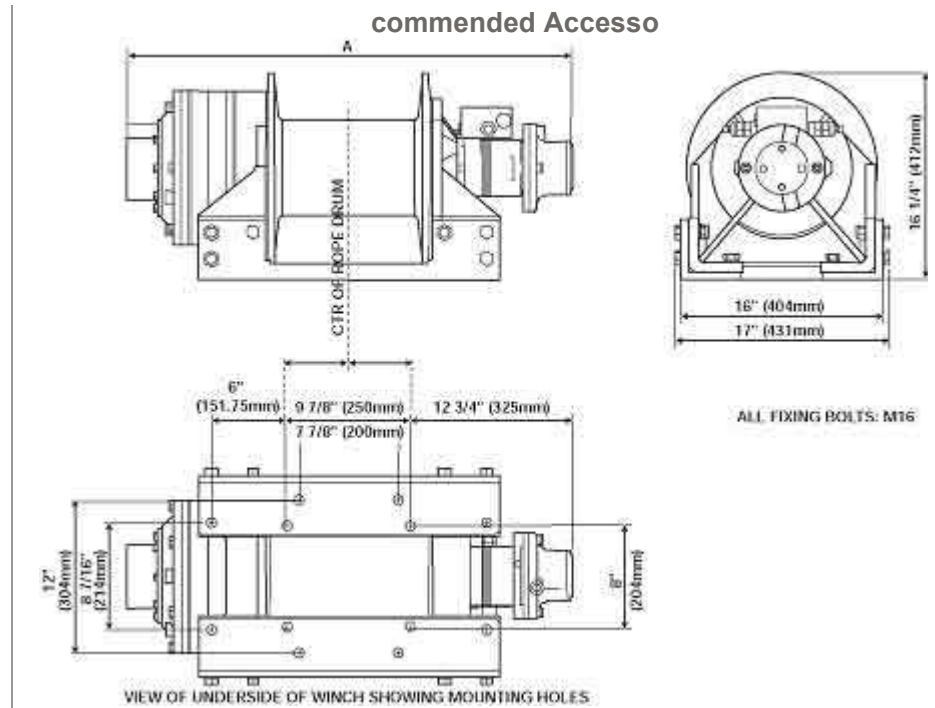
**Winch**

H20P Winch, Air Clutch	5440B
H25P Winch, Air Clutch	5450B
H30P Winch, Air Clutch	5460B

**Optional Accessories**

Cable Tensioner	5683A
-----------------	-------

**Dimensions**



[Home](#) | [Winches](#) | [Power Drives](#) | [Mounts for ATVs](#) | [Mounts for Vehicles](#) | [Jeeps](#) | [Hubs](#) | [Accessories](#) | [News](#) | [Company Profile](#) | [Contact Us](#) | [Site Map](#)

© Copyright 2006 Superwinch, Inc. All Rights Reserved.